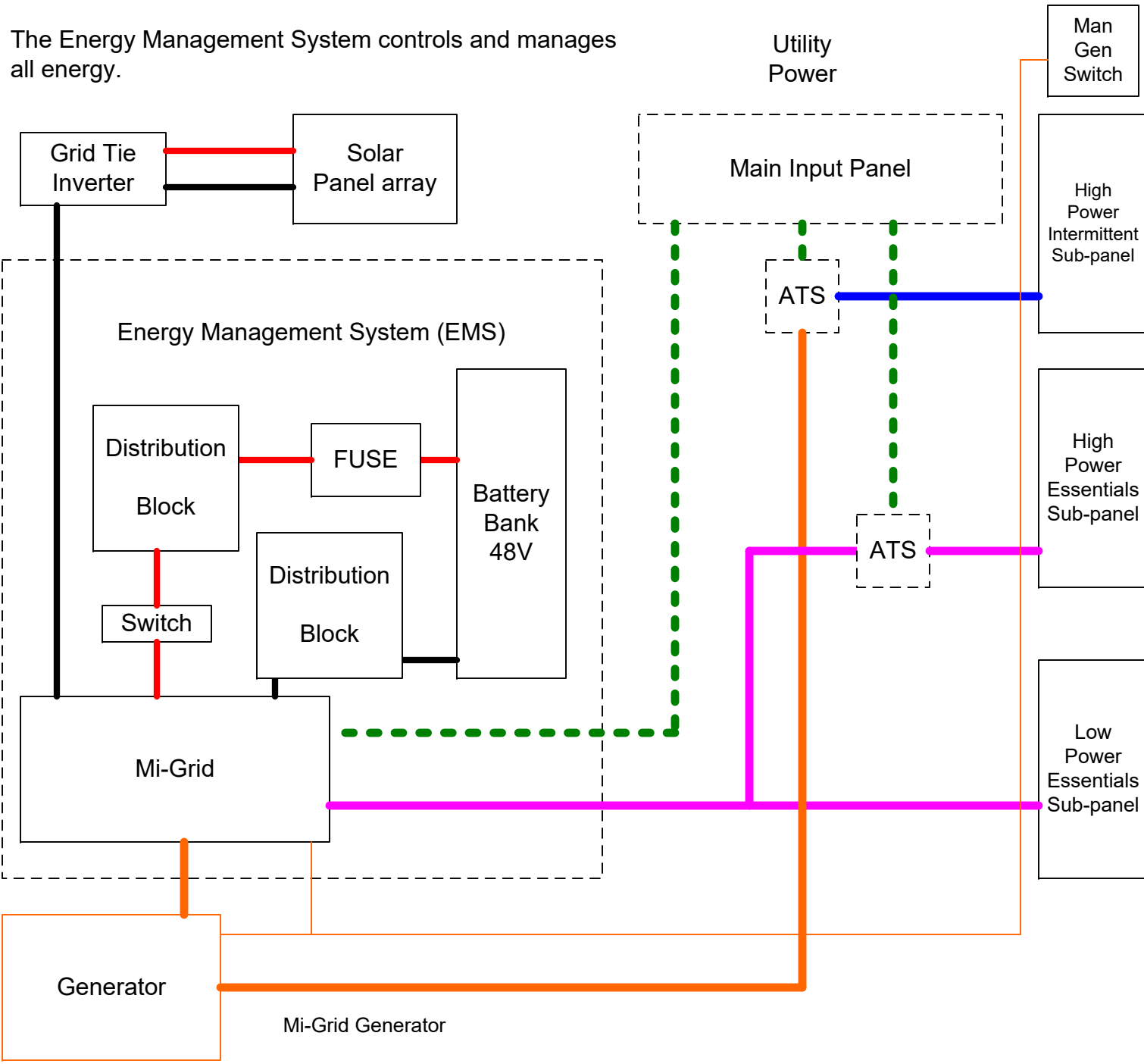


# Mi-Grid System

The Energy Management System controls and manages all energy.



**Intermittent items**  
Only run when the generator is running.



These would include very high power items, agricultural water pumps, non-essential water heating, non-essential appliances



**Essential 240VAC**  
These items include all high power AC systems which need to run when utility power is out



These are powered directly by the utility and switched with a transfer switch to Mi-Grid



**Essential 120VAC**  
These items include all AC outlets, lights and any other circuits powered by 120VAC



These are powered directly by the Mi-Grid system at all times and will never lose power.



**Mi-Grid Generator**

The Generator supplies supplemental power. It automatically recharges the batteries in times when the solar is insufficient.

It also supplies power to intermittent, non-essential systems